

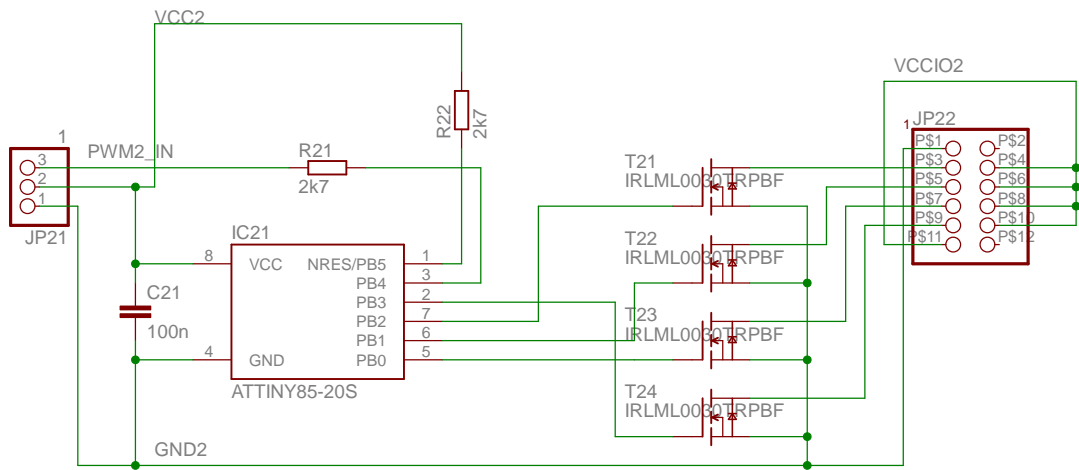
TITLE: Flight

Document Number:

REV:

Date: 07.12.2013 11:13:49

Sheet: 1/5



GND

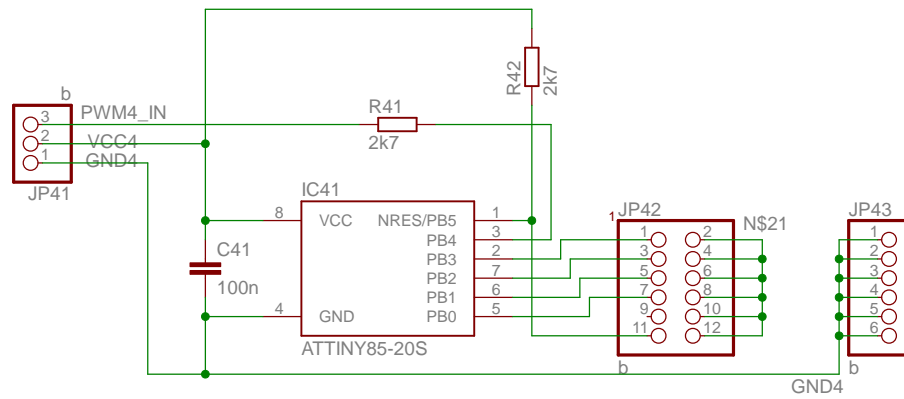
TITLE: Flight

Document Number:

REV:

Date: 07.12.2013 11:13:49

Sheet: 2/5



TITLE: Flight

Document Number:

REV:

Date: 07.12.2013 11:13:49

Sheet: 4/5